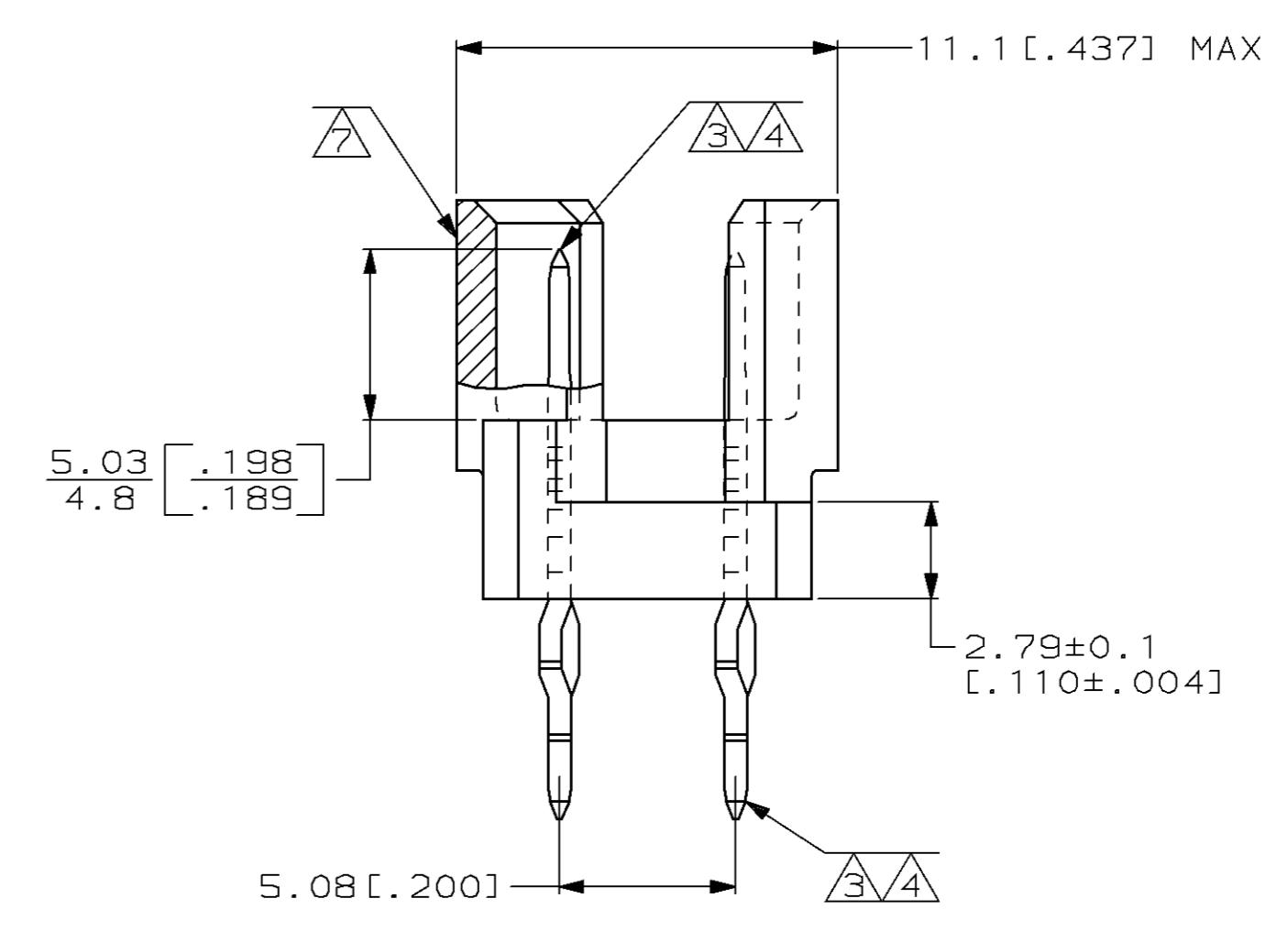
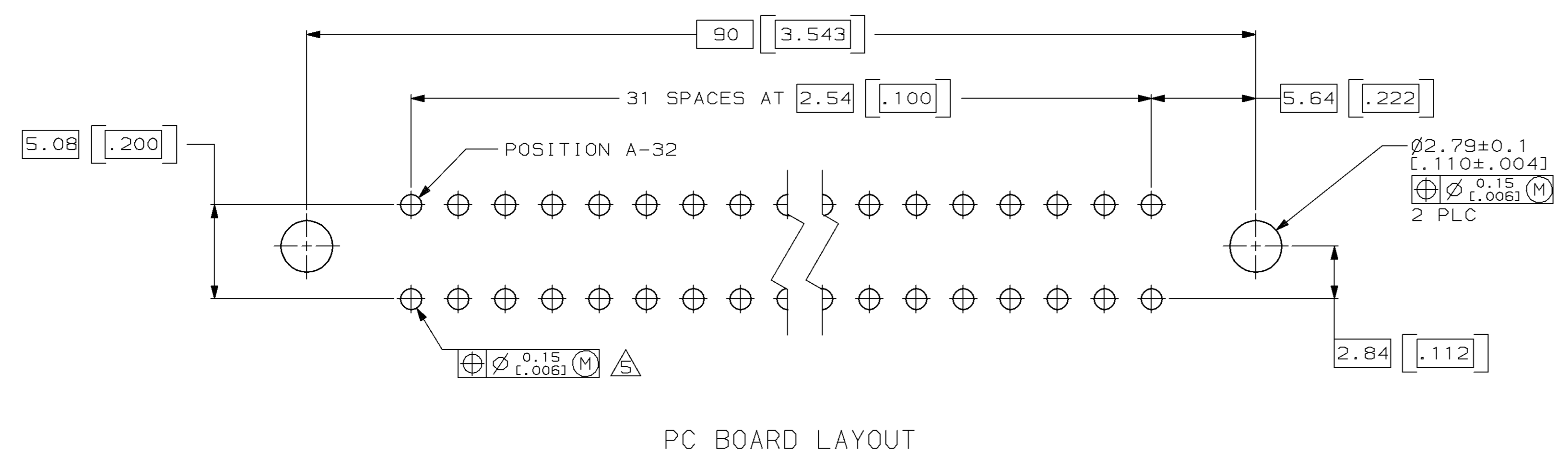
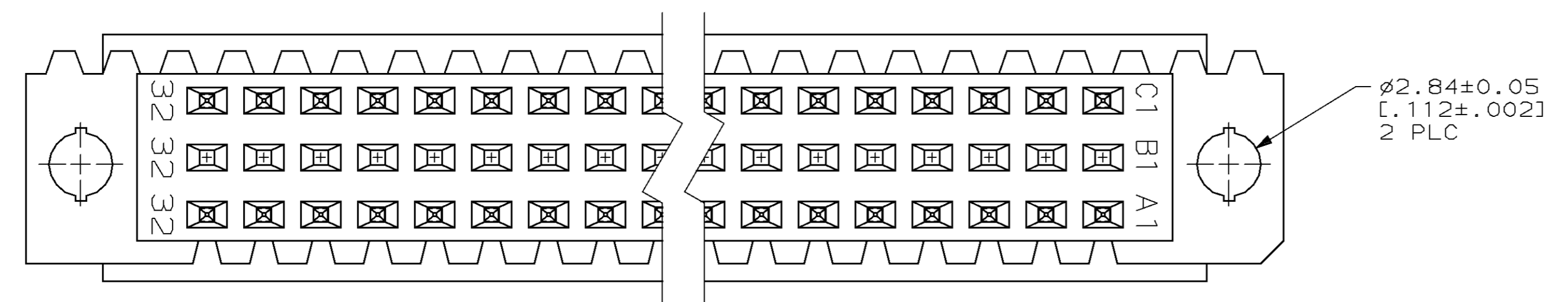
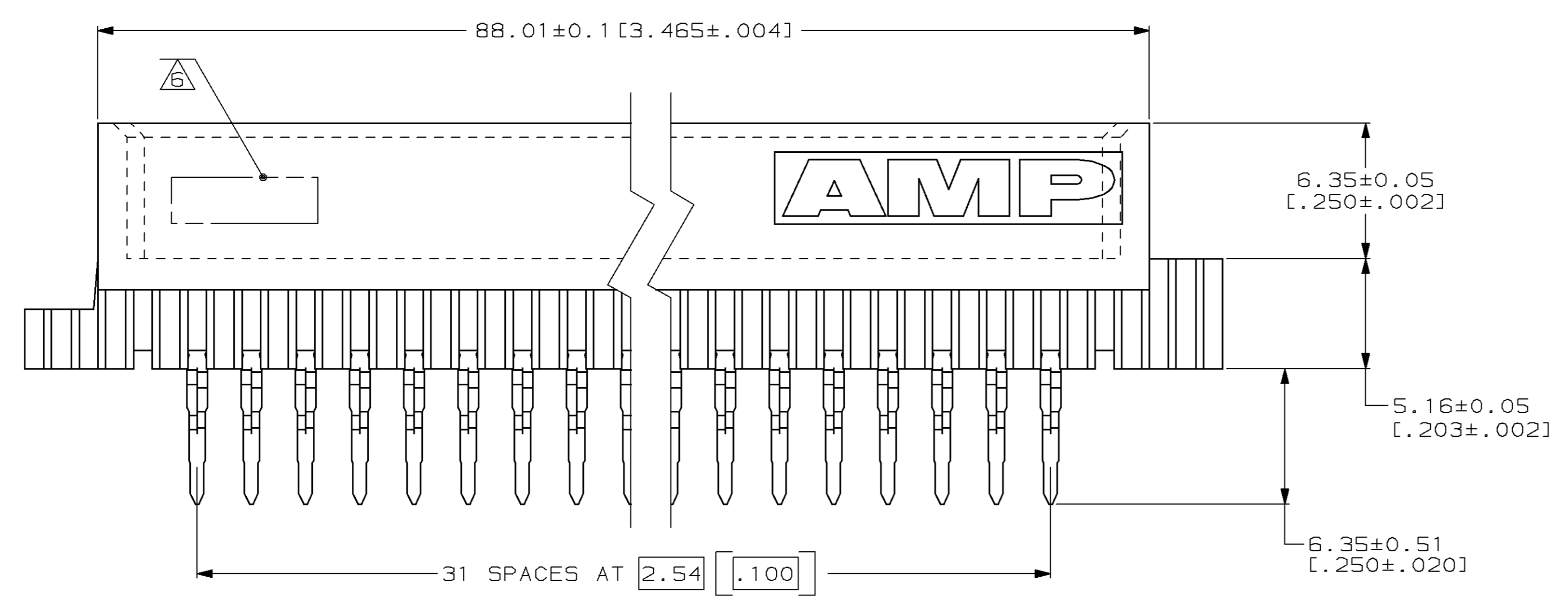
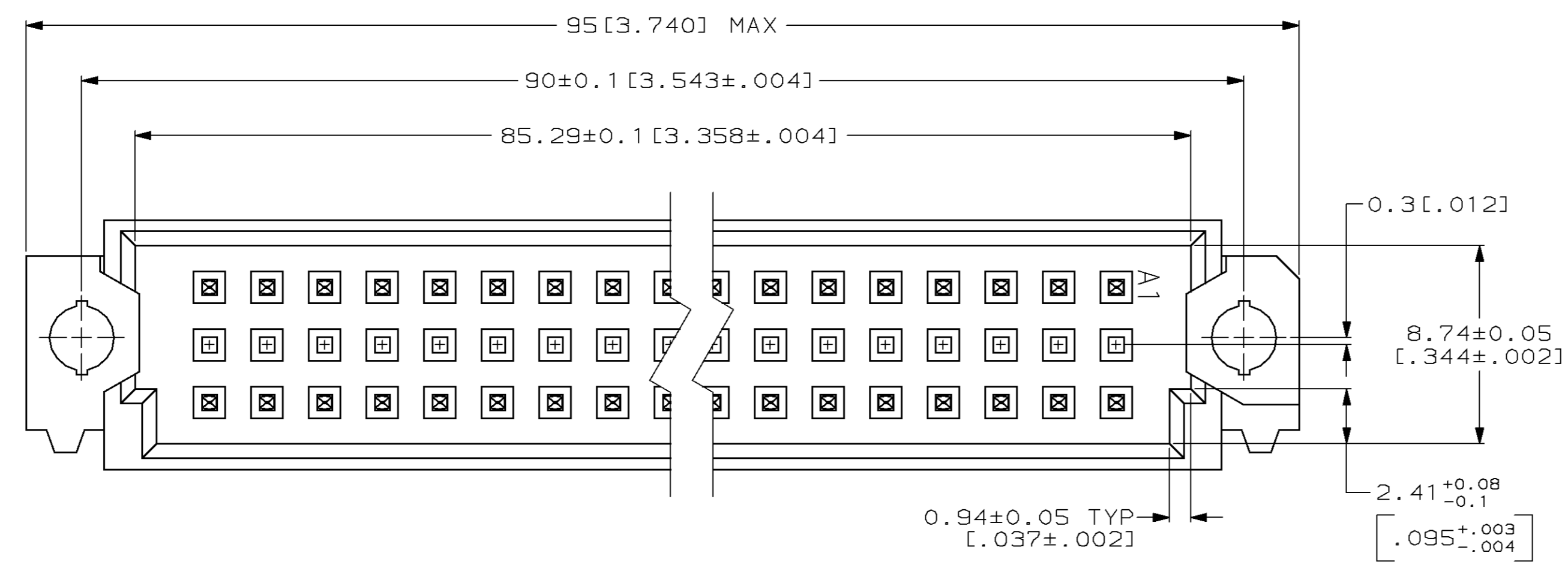


LOC	DIST	P	F	ZONE	LTR	REVISIONS	DATE	APPD
AD	25					0		
						B	6/10/91	LSB
						C	11/14/91	LSB
						D	12/30/91	LSB
						E	6/2/92	LSB
						F	2/7/94	LSB
						G	3/25/94	LSB
						H	2/24/95	LSB



- △ HOUSING MATERIAL: GLASS-FILLED POLYESTER. COLOR: GRAY.
- △ POST MATERIAL: PHOSPHOR BRONZE.
- △ POST FINISH: DIN 41612 CLASS 3 IN CONTACT AREA. TIN-LEAD PLATE ON POSTS.
- △ POST FINISH: DIN 41612 CLASS 2 IN CONTACT AREA. TIN-LEAD PLATE ON POSTS.
- △ ACTION PIN POSTS REQUIRE 2.36[.093] MINIMUM THICK PC BOARD. RECOMMENDED PC BOARD HOLES ARE 1.151[.0453] DIA PLATED THROUGH WITH 0.02-0.08[.001-.003] COPPER AND 0.008[.0003] MINIMUM TIN-LEAD PLATING. FINISHED HOLE AFTER PLATING, 0.94-1.09[.037-.043] DIA.
- △ [PART NUMBER, DATE CODE] MARKED THIS APPROXIMATE AREA.
- △ MARKING ON THIS SIDE.

NOTES	POSITIONS LOADED	C	B	A	NO. OF LOADED POSITION	ASSY PART NUMBER
OBSOLETE						

DO NOT SCALE PRINT. UNLESS SPECIFIED DIMENSIONS IN mm [INCHES]		PART NO	
DR L. BRINER	3/18/91	AMP Incorporated Harrisburg, PA 17105-3608	
CHK D.C. RUBENDALL	3/26/91		
TOLERANCES ON:		NAME PIN ASSEMBLY, EUROCARD, TYPE "R"	
1 PLC DEC ± -			
2 PLC DEC ± 0.13[.005]		SIZE CAGE CODE DRAWING NO D 00779 650912	
ANGLES ± -			
MATERIAL		SCALE 5:1 SHEET 1 OF 1	
HOUSING: △			
POST: △		CUSTOMER DRAWING	
FINISH			
POST: △/△			